

DF PADDLE WHEEL FLOW SENSOR



Flow
Pressure
Level
Temperature
measurement
monitoring
control



S4

- $\pm 2.5\%$ of Full Scale Accuracy
- Analog Output
- Easy to Install and Maintain
- Robust and Reliable
- No. Min. Requirements for Straight Inlet and Outlet Pipe
- Low Pressure Drop
- 7 Different Material Combinations Available



USA

KOBOLD Instruments Inc.
1801 Parkway View Drive
USA- Pittsburgh, PA 15205
☎ +1 412-788-2830
Fax +1 412-788-4890
E-mail: info@koboldusa.com



CANADA

KOBOLD Instruments Canada Inc.
9A Aviation
Pointe-Claire, QC H9R 4Z2
☎ +1 514-428-8090
Fax +1 514-428-8899
E-mail: kobold@kobold.ca

Visit KOBOLD Online at
www.kobold.com

Model:
DF



Flow Sensor DF

The main feature of the KOBOLD DF flow sensor is the incorporation of a multipole magnet ring into the paddlewheel. As the paddlewheel rotates, these magnets, hermetically separated from the fluid medium, induce an DC signal in a Hall sensor mounted on the device housing. Since the DC signal frequency is proportional to paddlewheel rotation, an accurate flowrate reading is possible.

The DF sensor, when coupled with the appropriate KOBOLD electronics unit, can offer the user a number of features useful in the measurement and control of fluid flow. These features include an analog output, adjustable switches, batch controller, or totalizer.

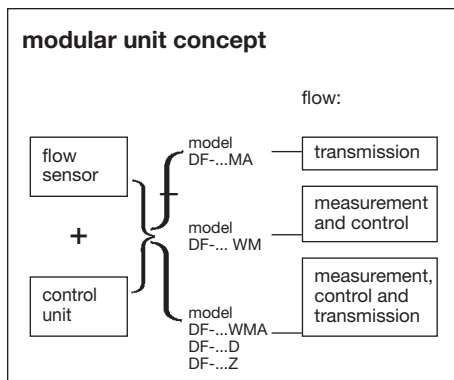
Specifications

- Accuracy:** ± 2.5% of full scale
- Media:** water and low viscosity liquids
- Orientation:** universal
- Fittings:** 1/8" NPT ... 1 1/2" NPT, flange ANSI 1/2", 1", 1 1/2"
- 7 different material combination:** trogamid, polysulfone, brass, SS, teflon



DF-... with flange

DF-... with female thread



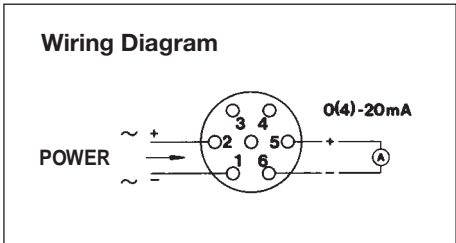
Materials combination	Standard				High Pressure Design	
	I	II/IIB*	III	IV*	VI*	VII*
Connecting type	Female thread	Female thread	Female thread	Female thread flange	Female thread	Female thread flange
Housing	Trogamid	Polysulfone/PP	Brass Nickel-plated	SS	Brass Nickel-plated	SS
Housing lid	Trogamid	Polysulfone/PP	Polysulfone	Polysulfone	Brass Nickel-plated	SS
Connection	Brass Nickel-plated	SS/PP	Brass Nickel-plated	SS	Brass Nickel-plated	SS
Locking pins	Brass	Brass	Brass	-	-	-
O-rings	Buna-N	Viton	Buna-N	Viton	Buna-N	Viton
Paddle wheel	Delrin	Teflon	Delrin	Teflon	Delrin	Teflon
Axle	SS	SS/Ceramic	SS	SS	SS	SS
Axle Bearing	Teflon	Teflon	Teflon	Teflon	Teflon	Teflon
Orifice	Teflon ²	Teflon ²	Teflon ²	Teflon ²	Teflon ²	Teflon ²
Max. operating pressure PSI	145	145/85	230	230	1450	1450 (with flange 580)
Max. operating temperature (°F)	145	180	180	180	180	180

* Fittings not rotatable ¹for Model DF..01 Titanium ² for Model DF..01 SS



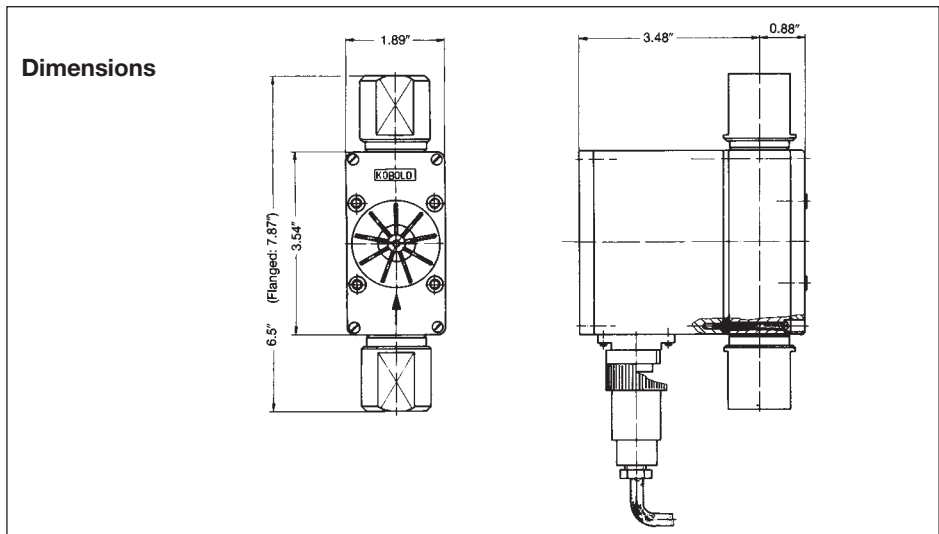
Electronic DF- ... MA Specifications

Power consumption: 1.5 W max.
Power supply: 24 VDC
 24, 110 VAC, 230 VAC + 15%/−10%
Analog Output: 0-20 mA, 4-20 mA, 0-5 VDC
 or 0-10 VDC
Load: 0-500 Ω
Temperature range: −10 to 180°F
 (145°F for DF 71..)
cable connections: (5 ft PVC-cable standard,
 Plug connection optional)
 No. 1 Power (−)
 No. 2 Power (+)
 No. 5 Analog Output (+)
 No. 6 Analog Output (−)



DF-...MA Special Features

- For transmission of measured flow
- Output 0(4)–20 mA



Order Numbers

Range water GPM	Stand. conn. NPT	Dia. of Orifice inches	Press. drop max. PSI	DF Flow Sensor Material Combination							Range Size
				I DF-71..	II DF-72..	II B DF-70..	III DF-73..	IV DF-74..	VI DF-76..	VII DF-77..	
0.02– 0.14	1/8"	0.04	10.2								..01
0.05– 0.30	1/4"	0.08	4.2								..02
0.05– 0.60	1/4"	0.08	10.4								..03
0.1 – 0.7	1/4"	0.11	9.6								..04
0.2 – 2.5	3/8"	0.19	12.1								..05
0.4 – 5	1/2"	0.32	2.9								..06
0.5 – 6	3/4"	0.32	4.4								..07
0.5 –12	3/4"	0.49	4.4								..08
1 –25	1 1/4"	0.59	15.9								..09
1.5 –36	1 1/4"	0.73	13.5								..10

Options (add suffix to order number)

Special conn. NPT Suffix "–B"	Special Range GPH water Suffix "–L"	
1/4"	1 – 7	
3/8"	3 – 25	
3/8"	3 – 36	
3/8"	6 – 42	
1/2"	12-150	
3/4"	For flange conn. (only material comb. IV & VII)	
1"		Suffix "FL" on request
1 1/2"		
1 1/2"		

- S 1	0–20 mA Output
- S 2	4–20 mA Output
- S 3	0-10 VDC
- S 4	0-5 VDC

Suffix "P"	Plug connector with Plug
- P 01	Power Supply 24 VDC
- P 02	Power Supply 24 VAC
- P 03	Power Supply 110 VAC
- P 04	Power Supply 230 VAC
-	Calibration Test Certificate

Subject to change without prior notice.