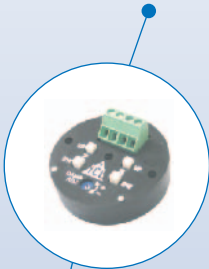


# NRF-1W CABLE CAPACITANCE Water Well Level Sensor

## Application

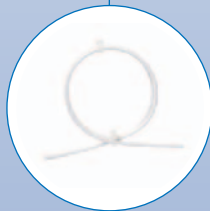
- Potable water well level depths
- Potable water storage tanks
- Reservoir level
- Waste water treatment plants
- Chemical holding tanks



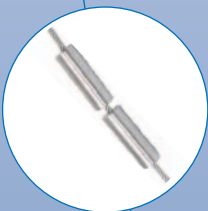
- 4-20 mA output
- Micro-processor based
- Accuracy 1% of span



- 3/4" NPT stainless fitting



- PFA Teflon 3/32" diameter cable
- Cable lengths up to 1000 feet (300 m)  
(Consult factory for longer lengths)



- Flexible segmented 1/2" diameter stainless steel weight



**Reliable**

**Accurate**

**Easy to Use**

**FLOW...PRESSURE...LEVEL..TEMPERATURE**

KOBOLDUSA.COM



# NRF-1W CABLE CAPACITANCE WATER WELL LEVEL SENSOR

## Features

- Cable lengths up to 400 feet (122 m)
- Accuracy 1% of span
- 3/4" NPT stainless fitting standard
- PFA Teflon 3/32" diameter cable
- Flexible segmented 1/2" diameter stainless steel weight standard

The KOBOLD series NRF-1W cable capacitance transmitter is designed to measure potable water levels in ground pipes of 3/4" and larger. All wetted surfaces are Teflon and stainless 316. The flexible segmented weight facilitates the ease of installation around slight bends in pipes. The microprocessor-based transmitter that converts capacitance change into a linear, highly accurate 4-20 mA signal is mounted in the enclosure, but optional remote mounted electronics are available. The compact and advanced microprocessor-based design makes installation and setup a simple task.

The NRF-1W is a highly dependable potable water well capacitance level sensor.

## Specifications

**Accuracy :** ±1% of span  
(at calibration conditions)

**Repeatability :** ±0.1% of span  
(for water at calibration conditions)

### Electrical Specifications :

Input Power : 12-36 VDC  
Output : 4-20 mA, 2-wire

**Max Loop Res.:** (Vs - 10)/0.02 Ohm

**Calibration :** Via 4 push-button switches

**Maximum Length :** 400 feet (122 m)

### Wetted Materials

Standard Fitting : 3/4" NPT 316 SS  
Cable : PFA Teflon clad  
Weight : 316 SS

### Temperature Range

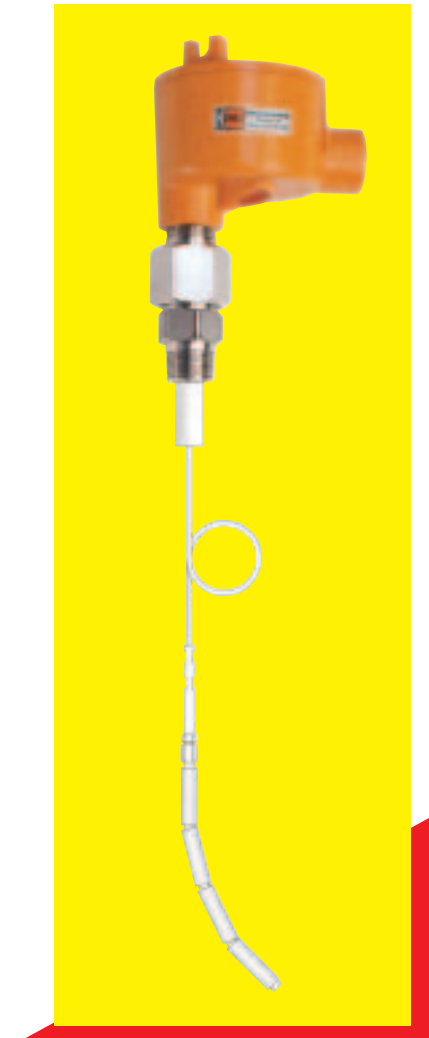
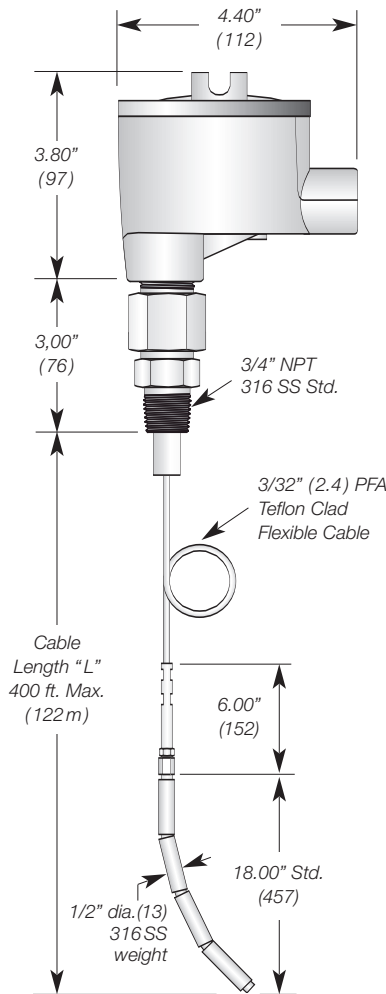
Process : -100 to 350 °F max.  
Ambient : -40 to 140 °F

### Enclosures

Standard : NEMA 4 (Nylon®), Aluminum or Stainless

### Maximum Pressure

316 SS Fitting : 100 PSIG @ 70 °F  
50 PSIG @ 300 °F  
14 PSIG @ 350 °F

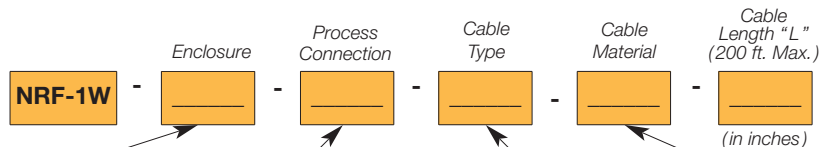


Note : Dimensions in brackets are in millimeters

## KOBOLD NRF-1W Capacitance Level Probe

### Applications

- Potable water well level depths
- Potable water storage tanks
- Waste water treatment plants
- Chemical holding tanks



CODE	Enclosure	CODE	Process Connection	CODE	Cable Type	CODE	Cable Material
1	Nylon® (NEMA 4)	1	3/4" NPT 316 SS	1*	Single Cable	1	Teflon Cable
2	Stainless Steel	5	1-1/2" NPT 316 SS	4**	Dual Cable	3	One 316SS One Teflon
3	Aluminum						

\* Single cable must be Teflon clad, ex.: Code 1

\*\* Dual cable must be one Teflon & one 316 SS, ex.: Code 3

For each request for quotation or order, please complete the application datasheet at the end of this section.